

PRODUCTS: IL1500MH ILLUMINATOR



IL1500MH ILLUMINATOR



Description:

The IL1500MH ILLUMINATOR most popular illuminator. Housed in a compact, easy access enclosure, this illuminator is U.L. listed for wet locations. The illuminator utilizes a 150w metal halide lamp and patented reflector combination to produce brilliant light. Available in two color temperatures, this illuminator can be used in recessed downlighting, linear highlights, display lighting, step lighting, decorative signage, starlit ceilings, soffit cove and glass block lighting applications.

illuminator ordering guide

Model:		
IL1500 /30	3000° K	
IL1500 /40	4000° K	
IL1500 /30MC*	3000° K	
IL1500 /42MC*	4200° K	
IL1500 /30MR	3000° K	
IL1500 /40MR	4000° K	

*USES PHILIPS MASTER COLOR LAMP

Voltage Options:

120	120V, 60 Hz
240	240V, 60 Hz
277	277V, 60 Hz
220I	220V, 50 Hz
230I	230V, 50 Hz
240I	240V, 50 Hz
250I	250V, 50 Hz

Color Wheel Options:

NC	NO COLOR
C1	SINGLE COLOR
C4/1*	4 COLORS, 1 RPM
C4/3*	4 COLORS, 3.6 RPM
C8/1*	8 COLORS, 1 RPM
C8/3*	8 COLORS, 3.6 RPM
SPW	SPARKLE WHEEL (ADD TO C4 OR C8 ONLY)
SPW/NC**	SPARKLE WHEEL (W/ MOTOR, 400 FIBER (MAX.))
DWM/NC**	DIMMING WHEEL, MECHANICAL (W/ MOTOR, NOT USED W/COLOR WHEEL)

* COLORS AND SEQUENCES MUST BE SPECIFIED AT TIME OF ORDER.

** SPECIFY 1 RPM OR 3.6 RPM MOTOR

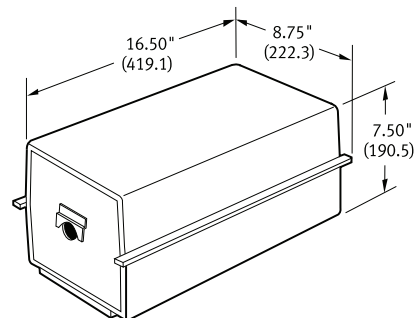
Options:

003	STANDARD 300 FIBER CAPACITY
004	SPECIAL 400 FIBER CAPACITY, WHITE LIGHT ONLY
005	SPECIAL 450 FIBER CAPACITY, STAR CEILING, WHITE LIGHT ONLY
006	SPECIAL 600 FIBER CAPACITY, STAR CEILING, WHITE LIGHT ONLY
SM	SYNC MASTER ILLUMINATOR, (C4 OR C8 ONLY) ONE SYNC MASTER ILLUMINATOR CONTROLS A NETWORK OF SYNC SLAVE ILLUMINATORS.
SY	SYNC SLAVE (C4 OR C8)
CV	CONTROLLER: VARIABLE DELAY ON COLOR, DELAYS COLOR CHANGES ON SYNC SLAVES WITH 3.6 RPM COLOR WHEEL MOTOR. ONE CONTROLLER PER NETWORK.
DX	DMX INTERFACE, HARDWIRE (C8 ONLY) 2 MOTOR CONTROL
DXLR	DMX INTERFACE, XLR 5-PIN CONN. (C8 ONLY) 2 MTR CNTL
TBK	T-BAR MOUNTING KIT
HP	HAMMETONE TWO COLOR PAINTED ENCLOSURE

Specifications:

Maximum Exposure Rating:	WET LOCATION
Other Ratings:	NYC CALENDAR #39671
Ventilation:	115 CFM
Thermal Output:	683 BTU/HR
Acoustic Rating (dB):	47
Weight:	23 LBS
Rec. Mounting Clearance:	24" (609.6MM)
Operating Temperature:	-10° TO 40° C
Storage Temperature:	-30° TO 60° C
Continuous Load @ 120V:	1.8 AMPS
Startup Load @ 120V:	4 AMPS
Replacement Lamp:	3000°: HID-430, HID-430MR, HID-430MC 4000°: HID-440, HID-440MR, HID-440MC
Lamp Wattage:	150W
Lamp Type:	HID METAL HALIDE
Lamp Life:	6000 HOURS
Restrike Delay:	3 MINUTES
Color Temperature:	3000° - 4000° K
CRI:	80
Materials:	ZINC PLATED STEEL, DIE CAST ZINC
Color Filter Options:	APPLE-GREEN, AMBER, AQUA, DARK BLUE, MAGENTA, INCANDESCENT, MEDIUM BLUE, GREEN, NO COLOR, ORANGE, PURPLE*, TEAL *INTENSITY OF LIGHT OUTPUT IS GREATLY REDUCED.

Dimensions:



Technical Remarks:

Add 5" (125mm) to length dimension in order to accommodate the fiber bending radius.

Mounting Positions:

HORIZONTAL, VERTICAL (PORT RIGHT), OR (PORT UP)
DO NOT INVERT

