



Color therapy for health is gaining important recognition in today's stressful artificially lit work and healthcare environments. **Light, Sound, Color, and Scent** influence the conditions of our mental and physical health. The epix fusion is a value-added wellness product for medical lighting and home theater industry professionals looking to broaden their market & increase sales.

The epix fusion combines healing chromotherapy LED technology with sound generation and aromatherapy capabilities to bring the emotional, aesthetic and physiological benefits of light, sound, and scent indoors.

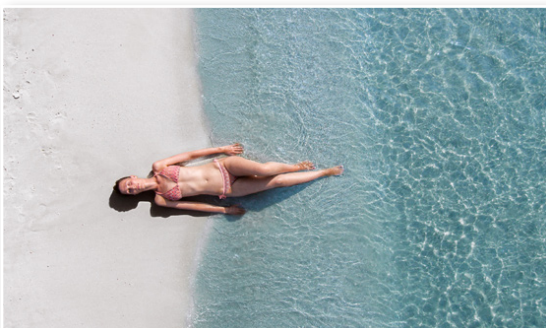
Fusing Emotion with Scent Sound & Sight

Powers up to 800W @ 24V

Controls Light, Sound, and Aromatherapy Accessories

Capable of controlling and communicating with massaging chairs and other remote devices such as fans, audio players and more!

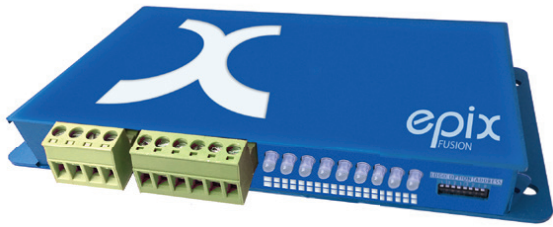
Downloadable App for Handheld Device Control



- ▶ Ocean (soothe & pacify)
- ▶ Forest (balance & calm)
- ▶ Sunset (relax & connect)
- ▶ Energy (energize & rejuvenate)
- ▶ Chromo Mode

Custom APP and
program modes
available

Epic Sky Technology



KEY FEATURES:

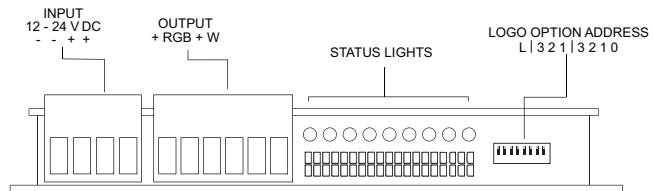
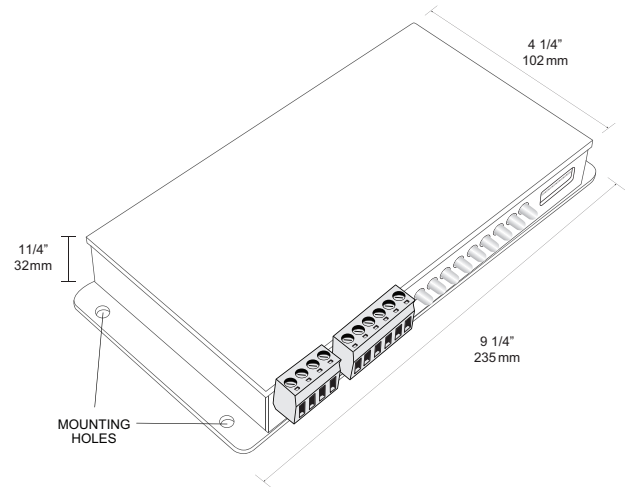
- Can handle up to 800 watts of power at 24V
- New Chromo Mode
- Music Mode
- Sound Generator
- Aromatherapy Device Output
- Motorized Chair output
- 4 high current channels with independent control - The highest in the industry. RGB + White.
- Suitable for common anode RGB LED strips, LEDs and incandescent bulbs.
- Standalone mode with 4 pre-programmed light sequences.
- A custom user-editable sequence via RS232 Serial with a wide-range of effect speed adjustments
- Wide-range of external input accessories such iPad, relays, and wireless transmitter and momentary switch.
- Memory for last selected sequence and user-editable sequence.
- Serial TTL interface to control from your micro controller or PC - interface sold separately.
- Addressable. Multiple modules can be connected with independent control for each module.
- Small form factor.
- PWM of 480 Hz delivers smooth dimming and a wide range of color spectrum of RGB LED light fixtures.
- Override memory allows last program to continue in case the RS232 serial connection is disrupted for any reason.
- Reverse polarity protection.
- Work independently or integrated into a whole-house 3rd party control system.
- 8-24VDC
- Integrated 5 Volt WiFi Power Port



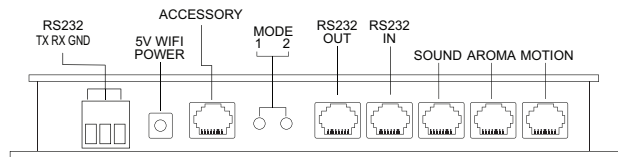
The epix Fusion is a serial RS232 light controller that is geared toward wellness utilizing therapeutic chromotherapy LED light technology along with sound and scent for use in medical, personal, and hospitality spaces. The epix fusion comes with a free downloadable APP for Android or Mac devices that will trigger light cycles and sound as well as control aromatherapy fragrance accessories to release on command or using pre-programmed shows including:

Ocean (soothe and pacify) | Forest (balance and calm) | Sunset (relax and connect) | Energy (energize and rejuvenate)

Capable of handling 800 watts at 24V, The epix fusion is the most unique serial light controller in the industry powerful enough to control multiple light sources, and simultaneously as well as audio and fragrance diffusers.



FRONT



BACK

ORDERING

MODEL

EPIX FUSION

Serial Light Controller

CAN BE USED IN CONJUNCTION WITH:

- WiFi Interface
- IR Receiver
- Epic Star Panels
- Cove Lighting
- Massage Chairs
- Remote Aromatherapy Devices
- Audio Devices
- Down Lights and Ambient Light Sources