

PATHBRITE SERIES

LED OUTDOOR RECESSED PATH FIXTURES

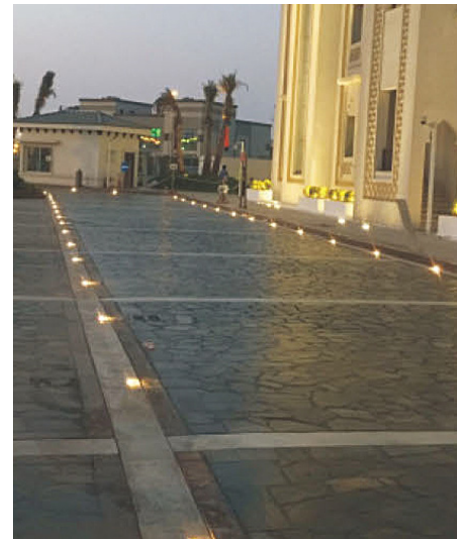


**RECESSED PATH ILLUMINATION
WITH THREE DIRECTIONAL OPTIONS**

IL-PB-1-120/CW Shown

The **IL-PATHBRITE SERIES** is a durable stainless steel fixture that offers directional light for pathway applications. Perfect for driveways or long walkways that need directional lighting without having excessive light pollution.

The Pathbrite series comes in 1, 2 and 4 directional light options, is energy efficient and environmentally friendly.



IL-PB-1

IL-PB-2

IL-PB-2



KEY FEATURES:

- ▶ IP67 - Outdoor Use
- ▶ Durable Drive-Proof Housing and Lens
- ▶ Efficient Heat Radiation
- ▶ Directional Light Emission Reduces Light Pollution

IMPACT LIGHTING INC.

2101 West Central Blvd. Orlando, Florida 32805 USA • Phone: 1.800.507.5714 • Fax: 407.745.4584 • Email: sales@impactlightinginc.com
www.impactlighting.com

PROJECT	DATE
TYPE	QTY

LED OUTDOOR RECESSED PATH FIXTURES



DESCRIPTION:

The **IL-PATHBRITE SERIES** is a durable stainless steel fixture that offers directional light for pathway applications. Perfect for driveways or long walkways that need directional lighting without having excessive light pollution.

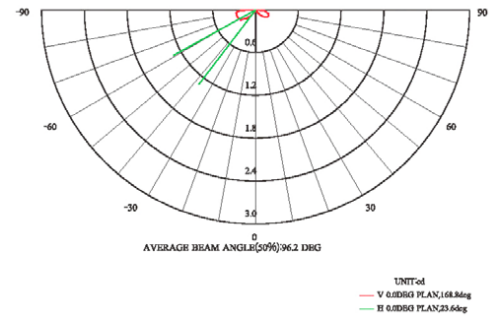
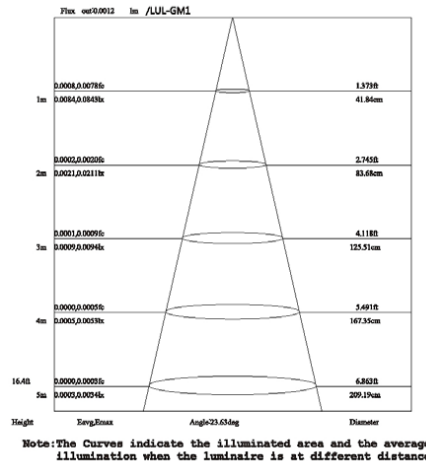
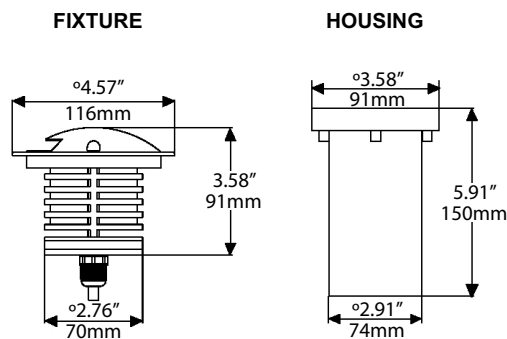
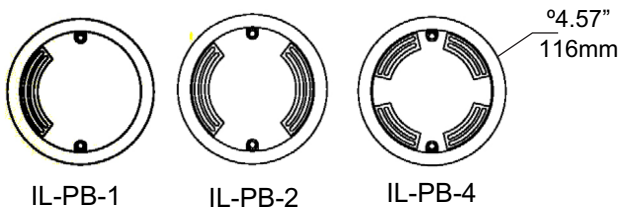
The Pathbrite series comes in 1, 2 and 4 directional options. Energy efficient LED comes in warm white and cool white.

SPECIFICATIONS

Materials	316 Stainless Steel + Aluminum
Size	4.67" / 116mm Diameter
Weight	2.65lbs / 1.2kg ± 5%
LED Quantity	6pcs SMD 5630/0.5W
Color	Static Color. Warm White or Cool White
Input Voltage	24V DC or 120V AC
Power	3W-4W
Lens	120°
Control Mode	Steady
Lighting Side	One / Two / Four

FEATURES & BENEFITS:

- IP67-Outdoor Use
- Durable Drive-Proof Housing and Lens
- Energy Efficient
- Directional Light Emission Reduces Light Pollution



MODEL NO.	LED COLOR	LUMENS	POWER	BEAM ANGLE	SIZE	WEIGHT	✓
IL-PB-1-24/120/CW	Cool White	148	3-4 Watts	24°	4.57" (116mm)	2.65lbs / 1.2kg ± 5%	
IL-PB-2-24/120/WW	Warm White	148	3-4 Watts	24°	4.57" (116mm)	2.65lbs / 1.2kg ± 5%	

IMPACT LIGHTING

2101 West Central Blvd. Orlando, Florida 32805 USA • Phone: 1.800.507.5714 • Email: sales@impactlightinginc.com

www.impactlightinginc.com