

Elegance Meets Power

When form and function come together in perfect harmony you can feel it. You have just designed a beautiful pool or water feature; make sure your lights are designed to enhance the experience.

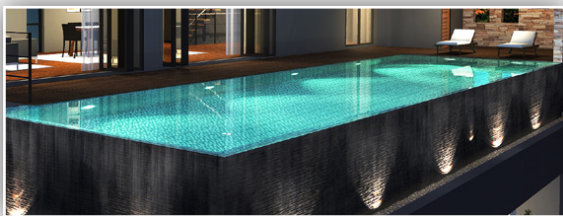


UX-50-1023
Stainless Steel Pool
Light Fixture
(actual size)



The **UX-50-1023** Stainless Steel LED Underwater Light is designed and engineered for pools and spas. It features a rugged 316 stainless steel housing with a 10mm thick Borofloat glass lens over a powerful 10W CREE high lumen output, high efficiency LED. Optional RGBW, cool white, neutral white or warm white LED. Four beam angle are also available to help tune the light. The threaded flange fits 1.5" F.I.P. or standard 1023 pool fittings.

When lights matter, look to Impact to lead the way.



- ▶ No visible LED Spots
- ▶ IP68
- ▶ 316 Stainless Steel
- ▶ Optional Beam Angles
- ▶ 10mm Tempered Glass Lens
- ▶ 10W CREE LED
- ▶ 4 LED Color Options
- ▶ High Efficiency

IMPACT LIGHTING

2101 West Central Blvd. Orlando, Florida 32805 USA • Phone: 1.800.507.5714 • Fax: 1.800.507.5714 • Email: sales@impactlightinginc.com

www.impactlightinginc.com

PROJECT	DATE
TYPE	QTY

IP 68 UNDERWATER LED STAINLESS STEEL LIGHT FIXTURE



UX-50-1023
Threaded Flange
for 1.5" F.I.P.



DESCRIPTION:

The UX-50 Stainless Steel LED Underwater Fixture has a variety of uses. With an IP68 rating this line is designed and engineered for outdoor and underwater use. This compact fixture is a powerhouse with a range of 45 to 90+ lumens per Watt.

A rugged 316 stainless steel fixture with a 10mm thick tempered glass lens covers a powerful 10W CREE high lumen output, high efficiency LED. Available in warm white, neutral white, cool white and RGB+W configurations.

The **UX-50-1023** fits SP1023 and 1.5" F.I.P. for pools and spas.

FEATURES:

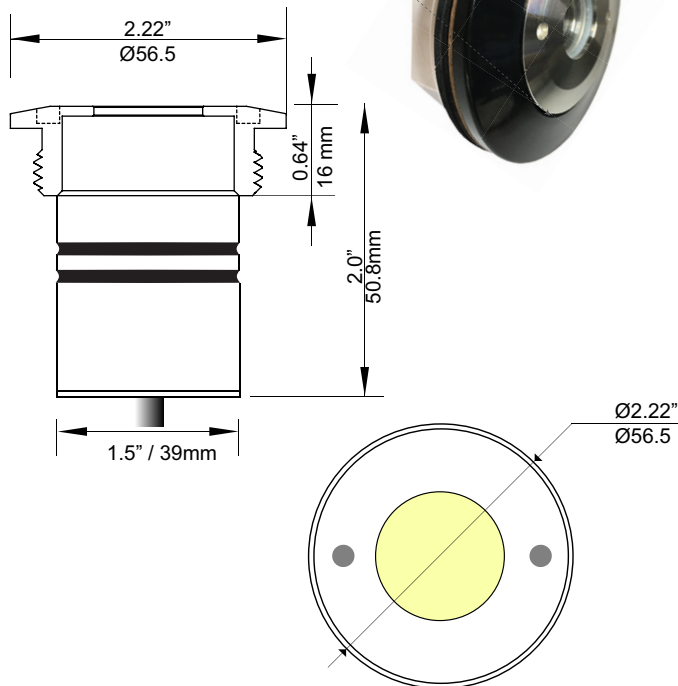
- No Visible LED Spots
- IP68
- 316 Stainless Steel
- 10mm tempered glass lens
- 10W CREE LED
- 4 LED color option

SPECIFICATIONS

Material	316 Stainless Steel
Cover	Tempered Glass (T=10mm)
IP Rating	IP68
Typical Power Consumption	10W
Input Voltage	12VDC Constant Current 350mA/700mA
Control	DMX512 / ON/ OFF
DMX Channel	4CHS (RGBW) @ DMX512 Control
Light Source	CREE
LED Chip Range	XP-E/XM-L High Lumen Output, High Efficacy
LED Quantity	1PCS
Color/CCT	3000K / 4000K / 6500K / RGBW
CRI	Ra ≥ 80
Lifespan	50,000 hrs.
Beam Angle	10°, 25°, 38°
Product Size	Ø2" x 1.5" x 1.9" h Ø50mm 39mm 49mm
Weight	0.9LBS / 0.41KG
Environment Parameter	Work Temperature -25°~45°
Storage Humidity	0~90°

* 12VDC Requires Constant Current Driver

(UX-50-1023 inside threaded 1023 black housing. White housing available.)



PHOTOMETRICS

LED	TYPICAL LIGHT EFFICIENCY
3000K	>55LM/W
4000K	>65LM/W
6000K	>90LM/W
RGBW	>45LM/W

ORDERING

MODEL	LED	BEAM ANGLE	CORD LENGTH	CONTROLLERS	ACCESSORIES
UX-50-1023 12VDC - 10W LED Pool Light With Threaded Flange for 1.5" F.I.P	WW - 3000K NW - 4000K CW - 6500K RGB+W - Red/Green/Blue/White*	10 - 10° 25 - 25° 38 - 38°	15 - 15' 25 - 25' 50 - 50' 75 - 75' 100 - 100'	DMX4 - 4 Channel DMX512 Decoder for RGB+W PS18CC - 18W Constant Current Power Supply PKG - DMX4 and PS18CC* RF - RF Controller & Handheld Remote with Power Supply	1023WH - Threaded White Housing 1023BL - Threaded Black Housing DE3 - STICK-DE3 DMX Wall Controller

* When ordering RGB+W LED you must have a DMX4 & PS18CC (PKG)

IMPACT LIGHTING

Power and Satisfaction

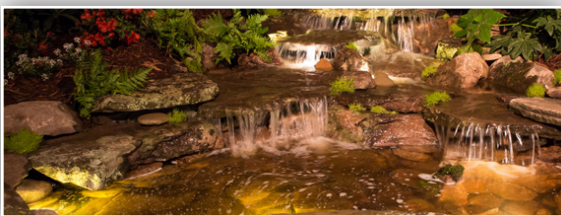
When form and function meet, the outcome is pure satisfaction. Your water feature deserves the best in power and elegance a lighting fixture can provide to last for years to come.



UX-50-T
Stainless Steel Fountain Light Fixture

The **UX-50-T** is a tripod mount with swivel U-bracket perfect for water features, fountains and wet architectural lighting. Stainless Steel LED Underwater Fixture with an IP68 rating this line is designed and engineered for outdoor and underwater use. This compact fixture is a powerhouse with a range of 45 to 90+ lumens per Watt.

When lights matter, look to Impact to lead the way.



- ▶ No visible LED Spots
- ▶ IP68
- ▶ 316 Stainless Steel
- ▶ Optional Beam Angles
- ▶ 10mm Tempered Glass Lens
- ▶ 10W CREE LED
- ▶ 4 LED Color Options
- ▶ High Efficiency

IMPACT LIGHTING

2101 West Central Blvd. Orlando, Florida 32805 USA • Phone: 1.800.507.5714 • Fax: 1.800.507.5714 • Email: sales@impactlightinginc.com

www.impactlightinginc.com

PROJECT	DATE
TYPE	QTY

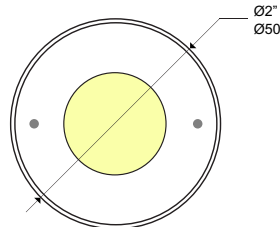
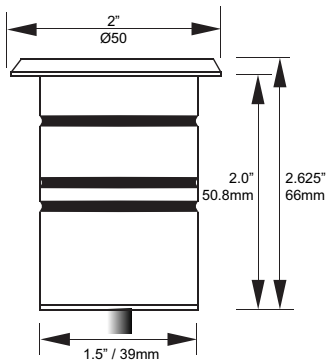
IP 68 UNDERWATER LED STAINLESS STEEL FIXTURE



UX-50-T
(tripod included)



BACK VIEW



DESCRIPTION:

The **UX-50-T** is a tripod mount with swivel U-bracket perfect for water features, fountains and wet architectural lighting.

A rugged 316 stainless steel housing with a 10mm thick tempered glass lens over a powerful 10W CREE high lumen output. This high efficacy LED underwater fixture has an IP68 rating designed and engineered for outdoor and underwater use. This compact fixture is a powerhouse with a range of 45 to 90+ lumens per watt, available in warm white, neutral white, cool white and RGB+W configurations.

FEATURES:

- No Visible LED Spots
- IP68
- 316 Stainless Steel
- 10mm tempered glass lens
- 110W CREE LED
- 4 LED color option

SPECIFICATIONS

Material	316 Stainless Steel
Cover	Tempered Glass (T=10mm)
IP Rating	IP68
Typical Power Consumption	10W
Input Voltage	350mA/700mA
Control	DMX512 / ON/ OFF
DMX Channel	4CHS (RGBW) @ DMX512 Control
Light Source	CREE
LED Chip Range	XP-E/XM-L High Lumen Output, High Efficacy
LED Quantity	1PCS
Color/CCT	3000K / 4000K / 6500K / RGBW
CRI	Ra ≥ 80
Lifespan	50,000 hrs.
Beam Angle	25°
Product Size	Ø2" x 1.5" x 1.9" h Ø50mm 39mm 49mm
Weight	0.9LBS / 0.41KG
Environment Parameter	Work Temperature -25°~45°
Storage Humidity	0~90°

PHOTOMETRICS

LED	TYPICAL LIGHT EFFICIENCY
3000K	>55LM/W
4000K	>65LM/W
6000K	>90LM/W
RGBW	>45LM/W

ORDERING

MODEL	LED	BEAM ANGLE	CORD LENGTH	CONTROLLERS	ACCESSORIES
UX-50-T 12VDC - 10W LED Underwater Fixture For Fountains	- <input type="text"/> WW - 3000K NW - 4000K CW - 6500K RGB+W - Red/ Green/Blue/White	- <input type="text"/> 10 - 10° 25 - 25° 38 - 38°	- <input type="text"/> 15 - 15' 25 - 25' 50 - 50' 75 - 75' 100 - 100'	- <input type="text"/> DMX4 - 4 Channel DMX512 Decoder for RGB+W PS18CC - 18W Constant Current Power Supply PKG - DMX4 and PS18CC RF - RF Controller & Handheld Remote with Power Supply	<input type="text"/> DE3 - STICK-DE3 DMX Wall Controller

*** When ordering RGB+W LED you must have a DMX4 & PS18CC (PKG)**

IMPACT LIGHTING

Power and Endurance

Lighting made to enhance your outdoor oasis requires a powerhouse fixture that will stand the test of time. Rugged and refined, the UX-50 answers your needs.

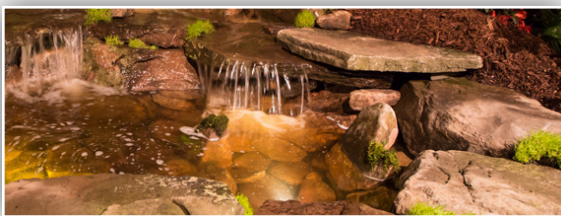


UX-50-P
Stainless Steel Fountain Light Fixture

The **UX-50-P** is perfect for wet architectural settings such as grotto and landscape lighting. This sleek stainless steel LED Underwater Fixture has an IP68 rating designed and engineered for outdoor and underwater use. A compact powerhouse with a range of 45 to 90+ lumens per Watt.



When lights matter, look to Impact to lead the way.



- ▶ No visible LED Spots
- ▶ IP68
- ▶ 316 Stainless Steel
- ▶ Optional Beam Angles
- ▶ 10mm Tempered Glass Lens
- ▶ 10W CREE LED
- ▶ 4 LED Color Options
- ▶ High Efficiency

IMPACT LIGHTING

2101 West Central Blvd. Orlando, Florida 32805 USA • Phone: 1.800.507.5714 • Fax: 1.800.507.5714 • Email: sales@impactlightinginc.com

www.impactlightinginc.com

PROJECT	DATE
TYPE	QTY

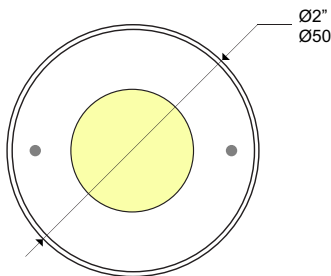
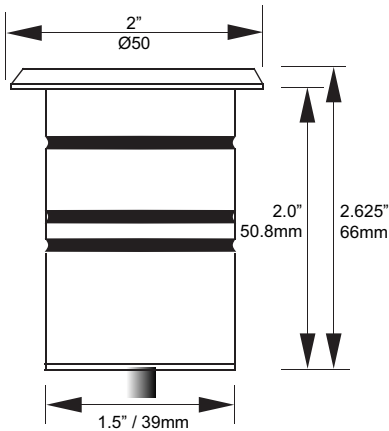
IP 68 UNDERWATER LED STAINLESS STEEL FIXTURE



UX-50-P



BACK VIEW



DESCRIPTION:

The **UX-50-P** Stainless Steel LED Underwater Fixture perfect for grotto and landscape lighting features a rugged 316 stainless steel housing with a 10mm thick tempered glass lens over a powerful 10W CREE high lumen output, high efficacy LED and is available in warm white, neutral white, cool white and RGB+W configurations.

With an IP68 rating the UX-50-P is designed and engineered for outdoor and underwater use. This compact fixture is a powerhouse with a range of 45 to 90+ lumens per Watt.

FEATURES:

- No Visible LED Spots
- IP68
- 316 Stainless Steel
- 10mm tempered glass lens
- 110W CREE LED
- 4 LED color option

SPECIFICATIONS

Material	316 Stainless Steel
Cover	Tempered Glass (T=10mm)
IP Rating	IP68
Typical Power Consumption	10W
Input Voltage	350mA/700mA
Control	DMX512 / ON/ OFF
DMX Channel	4CHS (RGBW) @ DMX512 Control
Light Source	CREE
LED Chip Range	XP-E/XM-L High Lumen Output, High Efficacy
LED Quantity	1PCS
Color/CCT	3000K / 4000K / 6500K / RGBW
CRI	Ra ≥ 80
Lifespan	50,000 hrs.
Beam Angle	25°
Product Size	Ø2" x 1.5" x 1.9" h Ø50mm 39mm 49mm
Weight	0.9LBS / 0.41KG
Environment Parameter	Work Temperature -25°~45°
Storage Humidity	0~90°

PHOTOMETRICS

LED	TYPICAL LIGHT EFFICIENCY
3000K	>55LM/W
4000K	>65LM/W
6000K	>90LM/W
RGBW	>45LM/W

ORDERING

MODEL	LED	BEAM ANGLE	CORD LENGTH	CONTROLLERS	ACCESSORIES
UX-50-P	-	-	-	-	
12VDC - 10W LED Underwater Fixture for Grotto & Landscape	WW - 3000K NW - 4000K CW - 6500K RGB+W - Red/Green/Blue/White	10 - 10° 25 - 25° 38 - 38°	15 - 15' 25 - 25' 50 - 50' 75 - 75' 100 - 100'	DMX4 - 4 Channel DMX512 Decoder for RGB+W PS18CC - 18W Constant Current Power Supply PKG - DMX4 and PS18CC RF - RF Controller & Handheld Remote with Power Supply	DE3 - STICK-DE3 DMX Wall Controller

*** When ordering RGB+W LED you must have a DMX4 & PS18CC (PKG)**

IMPACT LIGHTING