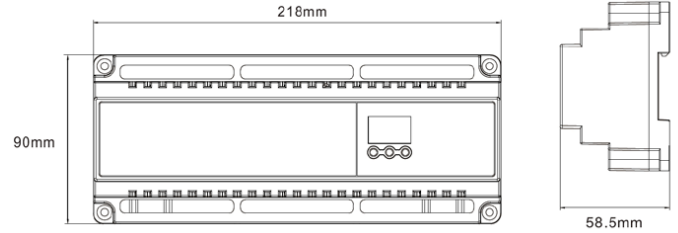


# IL-DMX-512-40-CH-CVD

## 40 CHANNEL CONSTANT VOLTAGE DECODER



### DIMENSIONS:



### OVERVIEW:

The DMX-512-4-CH-CVD Constant voltage DMX 512 Decoder, developed specifically for constant voltage LED lamps has adopted advanced micro-computer technology to convert a universal DMX/512/1990 digital signal to a PWM signal. 40 output channels can be used to control constant voltage single color, color temperature, RGB, RGBW, RGBWY type lamps. Din Rail / screw has dual use method for easy installation.

### SPECIFICATIONS:

Input Voltage	DC12V ~ DC24V
Output Current	3A x 40CH
Output Power	1440W/2880W (12V/24V)
Input Signal	DMX512 / 8 bit / 16 bit selectable
Output Signal	Constant Voltage PWM
Decode Channel	40CH
DMX512 Socket	RJ45 Terminal Block
Dimensions	L 8.6" (218mm) x W 3.5" (90mm) x D 2.3" (58.5mm)
Weight (G.W.)	138g/133g

### FEATURES:

1. Automatically adapts input voltage to DC12V-24V
2. Input standard DMX512 signal; 3 digit display shows DMX address code
3. 6 color changing modes and 10 speed scales
4. DMX decoding supports 8-bit and 16-bit
5. DMX digital display
6. Wrong wiring protection at DMX port. Power loss memory function
7. DIN rail design ideal for large scale projects

### ATTENTION:

1. The product shall be installed and serviced by a qualified person.
2. This product is non-waterproof. Avoid the sun and rain. When installed outdoors please ensure it is mounted in a waterproof enclosure.
3. Good heat dissipation will prolong the working life of the controller. Ensure good ventilation.
4. Check if the output voltage of any LED power supplies used comply with the working voltage of the product.

### OPERATING INSTRUCTIONS:

The decoder has three buttons which are No. 1, No. 2, and No. 3. When powered on display shows current DMX address. The last decimal will blink when a DMX signal is found. Display will automatically turn off after 30 seconds. Press any key to turn back on.

#### 1. Set the DMX address:

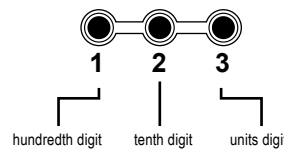
Press and hold button No. 1 for two seconds to enter the DMX address. The digital tube flashes button No. 1 to set the 100th digit, the value is 0-9. Button No. 2 sets the tenth digit, the value is 0-9. Button No. 3 sets the units digit, the value is 0-9, DMX512 address value = 001 - 512

#### 2. Exit DMX mode:

Press and hold button No. 1 for two seconds to set current setting and exit the DMX 512 address. (no input for 10 seconds the display will exit automatically)



Decimal will blink when receiving a DMX signal



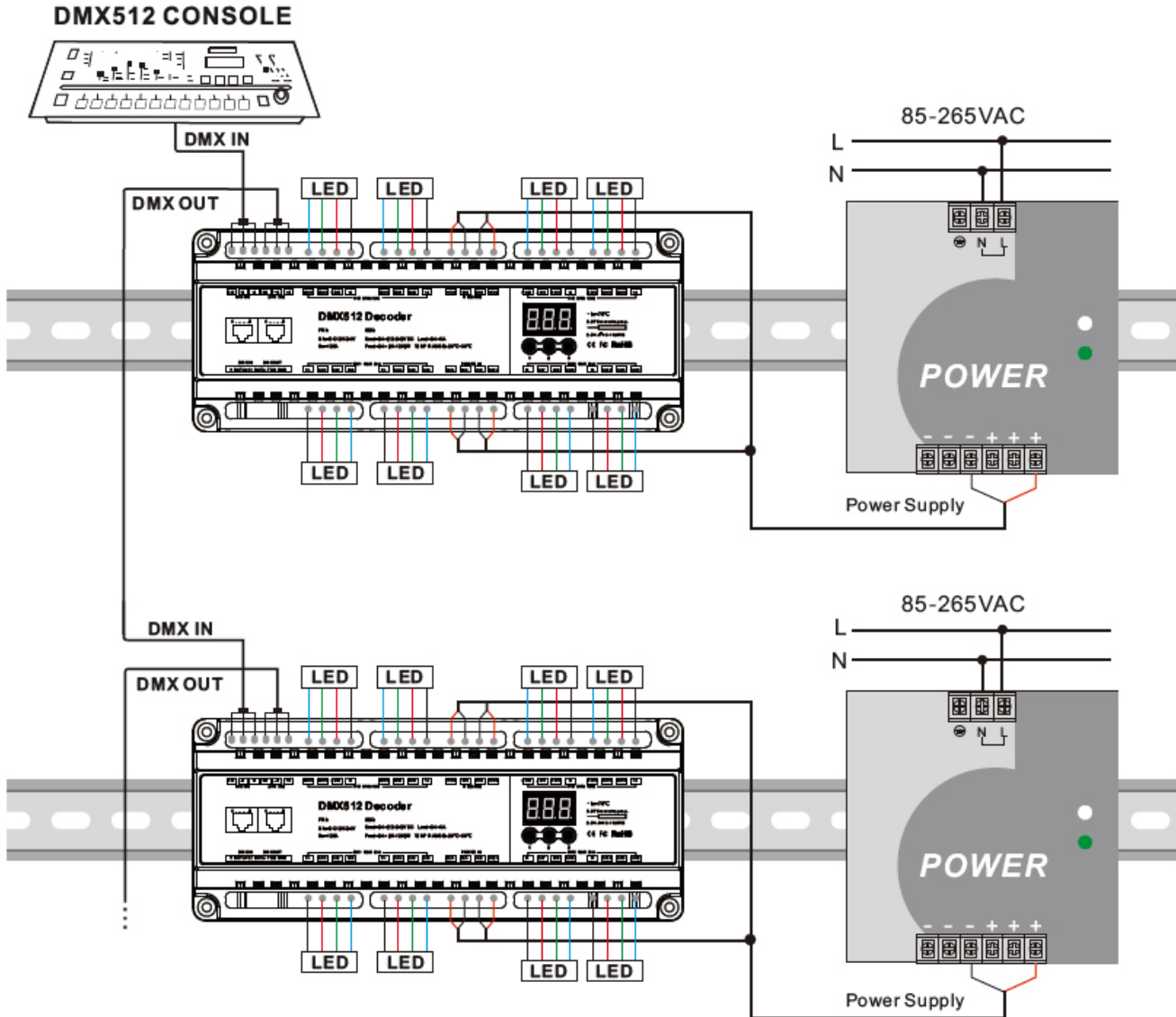
The decimal after the last digit will blink when the decoder is receiving a DMX 512 signal. If no signal is received the display will show the current DMX address and the decimal remains steady. If there is a wiring error or a short circuit the display will show ERR.

## IMPACT LIGHTING

2101 West Central Blvd. Orlando, Florida 32805 USA • Phone: 1.800.507.5714 • Email: sales@impactlightinginc.com

[www.impactlightinginc.com](http://www.impactlightinginc.com)

### WIRING DIAGRAM: Master Mode (only one decoder can be assigned as a master)



### WARRANTY:

3 Year warranty from the day of purchase. If product malfunctions after being properly used in accordance with instructions we will repair or replace if necessary.

#### Warranty excludes damage from the following conditions:

1. Improper connection or wiring
2. Inappropriate power supply or abnormal voltage
3. Unauthorized removal, maintenance, modifying the circuit, incorrect connections or replacing chips.
4. Transportation or water damage
5. Natural disasters, earthquake, fire, flood, lighting strike, or any other force majeure of natural disasters.
6. Negligence, inappropriate storage in high temperature and/or humidity, or near harmful chemicals.

### IMPACT LIGHTING

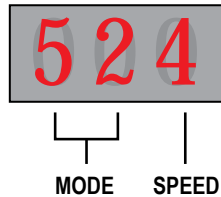
2101 West Central Blvd. Orlando, Florida 32805 USA • Phone: 1.800.507.5714 • Email: sales@impactlightinginc.com

[www.impactlightinginc.com](http://www.impactlightinginc.com)

### DMX PRESET CODES:

NUMERICAL SETTINGS	PATTERN MODE	NUMERICAL SETTINGS	PATTERN MODE
513	Solid Color: RED	520-529	RGB Skipping
514	Solid Color: GREEN	530-539	Color Skipping
515	Solid Color: BLUE	540-549	White Flicker
516	Solid Color: YELLOW	550-559	RGB Fading
517	Solid Color: PURPLE	560-569	Color Fading
518	Solid Color: Cyan	570-579	White Fading
519	Solid Color: White	580-599	All Bright

\* 520 - 599. First two digits indicate mode, the third digit indicates speed. Speed levels from 0-9. Speed decreases with higher number. Total of 6 modes (eg):



**SPEED FOR COLOR FADE MODES** (Program 520 - 579) is per color, not the whole program.

0= 0.5 seconds, 1= 1 second, 2 = 2 seconds, 3 = 3 seconds, 4 = 5 seconds, 5=10 seconds, 6 = 15 seconds, 7 = 30 seconds, 8 = 60 seconds, 9 = 120 seconds

**SPEED FOR SOLID MODES** (Program 570 - 579) is per color, not the whole program.

0= 0.2 seconds, 1= 0.4 seconds, 2 = 0.1 second, 3 = 0.2 seconds, 4 = 0.5 seconds, 5=1 second, 6 = 2 seconds, 7 = 5 seconds, 8 = 10 seconds, 9 = 15 seconds

### 3. Control Code Settings

The 40-channel decoder can work in 5 control modes of DIM / CT / RGB / RGBW / RGBWY

Press and hold button No. 2 for two seconds to enter the control mode setting, display will flash, press the No. 3 button to switch settings. The digital display 1Ch, 2CH, #CH, 4CH, 5 CH, coorespond to DIM / CT / RGB / RGBW / RGBY five modes.

When the wor king mode is RGB, the white light in the built-in mode cooresponds to RGB, in the other modes W is ON .

Press and hold button No. 2 for two seconds to exit the control mode setting. (No input for 10 seconds and the dispaly will exit automatically).

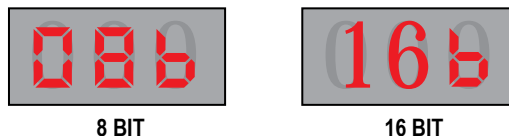


### 3. DMX Digit Settings

The decoder works on 8 bir or 16 bit.

Press and hold button No. 3 for two seconds to enter the setting, display will flash, press the No. 3 button to switch settings. Display will show 08b or 16b cooresponding to the respective mode.

Press and hold button No. 3 again for two seconds to exit the DMX setting. (No input for 10 seconds and the dispaly will exit automatically).



### IMPACT LIGHTING