

# IL-PINNACLE-225

**HIGH OUTPUT LED SPOTLIGHT FIXTURE**



PROJECT	DATE
TYPE	QTY

# IL-PINNACLE-225

## HIGH OUTPUT LED SPOTLIGHT FIXTURE



**IL-PINNACLE-225**

### DESCRIPTION:

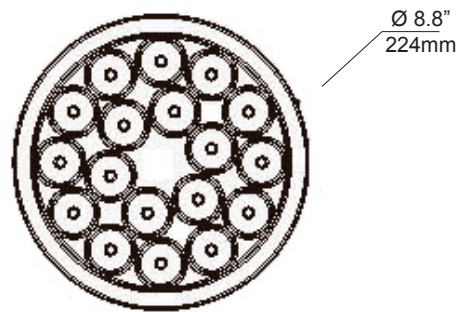
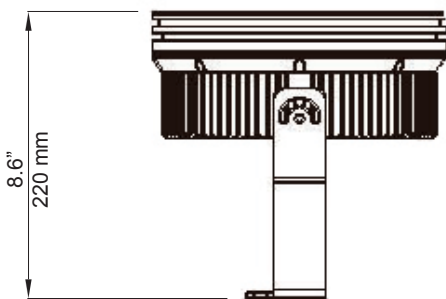
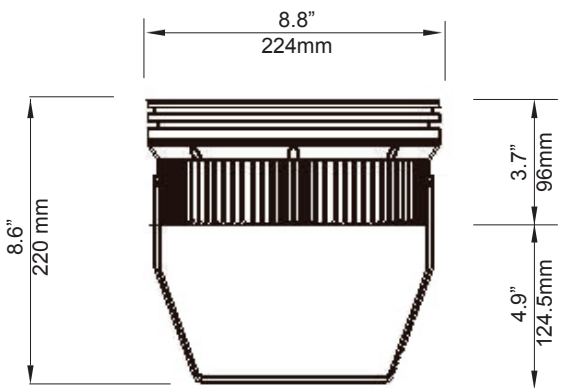
The IL-PINNACLE 225 SPOTLIGHT is a lightweight high performance LED spotlight fixture perfect for illuminating outdoor structures including bridge structures and building faces.

### FEATURES:

- Solid waterproof structure
- Deatchable bracket for easy installation
- 6063 lightweight aluminum housing for perfect performance heat dissipation
- Narrow beam angle projects up to 200 meters (656 ft)

### SPECIFICATIONS

Size	0.73" (224mm) x 8.6" (220mm)
Housing	Aluminum 6063
Weight	8.4lbs +5%
LED Quantity	12x4W
Color	RGBW
Input Voltage	100-240VAC
Maximun Power	45W
Beam Angle	15° / 25°
Control Mode	DMX
Lumens	2205LM/RGB



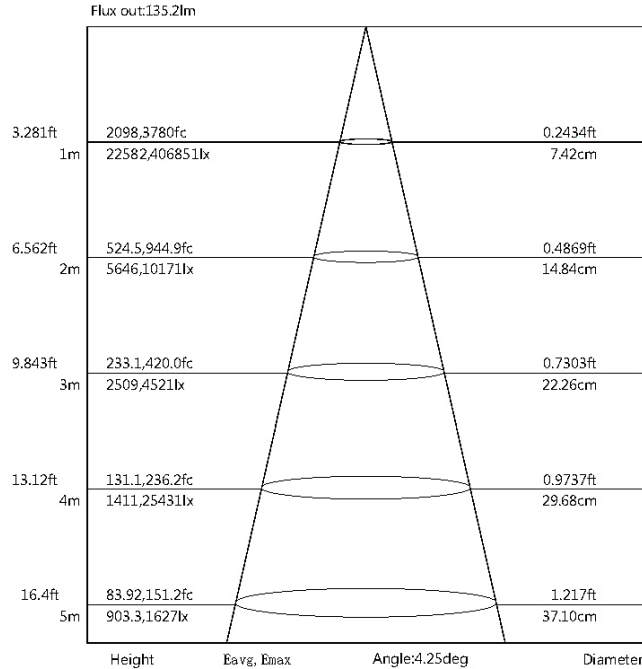
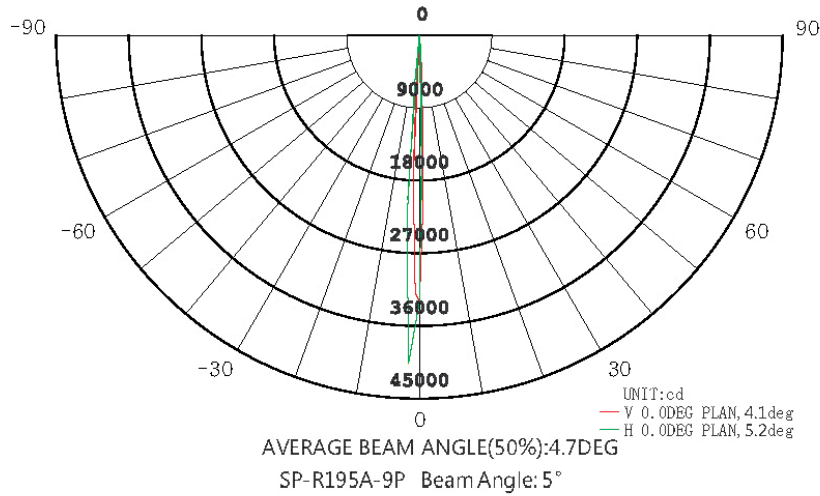
MODEL NO.	LED COLOR	LED QTY.	POWER	BEAM ANGLE	SIZE	WEIGHT	✓
IL-PIN-225-RGBW	RGBW	18	120/240VAC	15°/25°	D=8.8" (224mm) x H=8.6" (220mm)	8.4 lbs.	

### IMPACT LIGHTING

2101 West Central Blvd. Orlando, Florida 32805 USA • Phone: 1.800.507.5714 • Email: sales@impactlightinginc.com

[www.impactlightinginc.com](http://www.impactlightinginc.com)

**Photometrics:**



Note: The curves indicate the illuminated area and the average illumination when the luminaire is at different distance

**IMPACT LIGHTING**