

IL-PINNACLE-500

HIGH OUTPUT LED SPOTLIGHT FIXTURE



PROJECT	DATE
TYPE	QTY

IL-PINNACLE-500

HIGH OUTPUT LED SPOTLIGHT FIXTURE


IL-PINNACLE-500

DESCRIPTION:

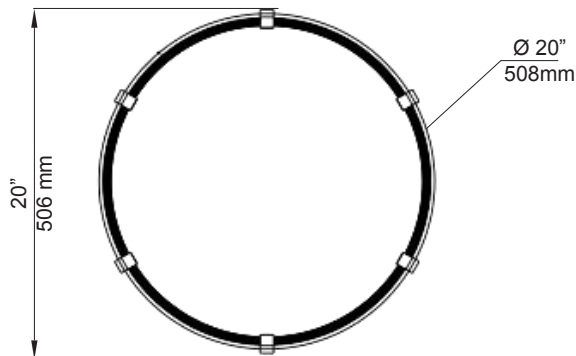
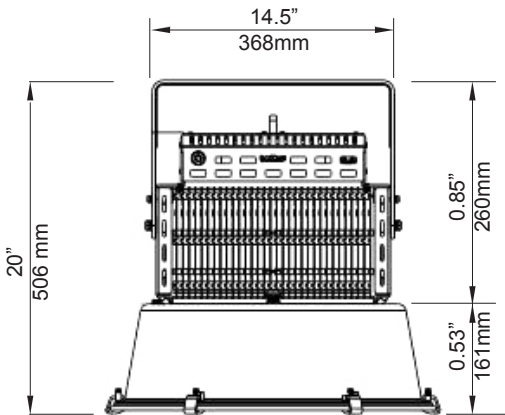
The IL-PINNACLE SPOTLIGHT is a high output LED spotlight fixture perfect for pole and tower lighting found in stadium applications.

FEATURES:

- Low energy consumption
- Save over 50% than traditional flood lamp
- CREE LED with low heat
- Top quality MEANWELL driver
- Full angles for option
- Instant start without flicker
- No UV, IR and No mercury &lead
- Long lifespan up to 50,000hours

SPECIFICATIONS

Input Voltage	90-277V/AC(50-60Hz)
Actual Power	500W
LED Initial Efficiency	139lm/w+
Fixture Brightness	45000lm/6000K
Color Temperature	Warm white, Neutral white, Pure white
CRI	>75Ra
LED	CREE XTE
LED Qty.	224pcs
Driver	MEANWELL*2PCS
Power	>0.99/110V, >0.95/220V
Efficiency	0.93
Beam Angle	30°/90deg or 60°/90deg
Light Distribution	Rectangle
Thermal Solution	Copper pipe + FINS
LED Junction Temp.	80° C at Ta=30° C
Operating Temp	-20~+45 Degrees Celsius
Storage Temp	-30~+65 Degrees Celsius
Materials	1060 high purity aluminum heatsink
Lifespan	50,000 hours
Protections	Short circuit, Over-current/voltage/temp
Quality Standards	CE, ROHS, TUV, UL
IP Rating	IP65
Power Line	0.75mm2 trifurcating
Wire Colors	Brown-L, Blue-N, Yellow/Green-E
Size	D=20" (508mm) x H=20" (506mm)
Weight	36 LBS.
Packing (1unit/CTN)	22.5' (565mm) 22.5'x (565mm) x 2' (580mm)



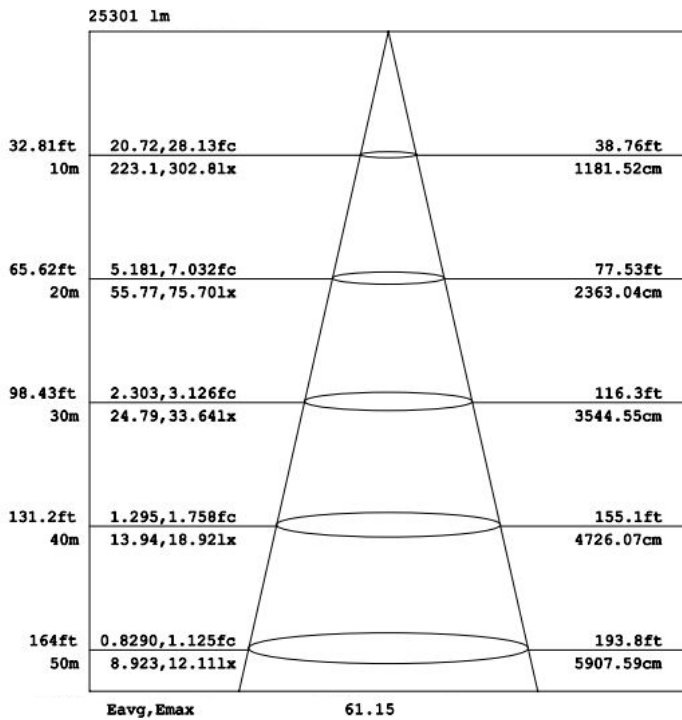
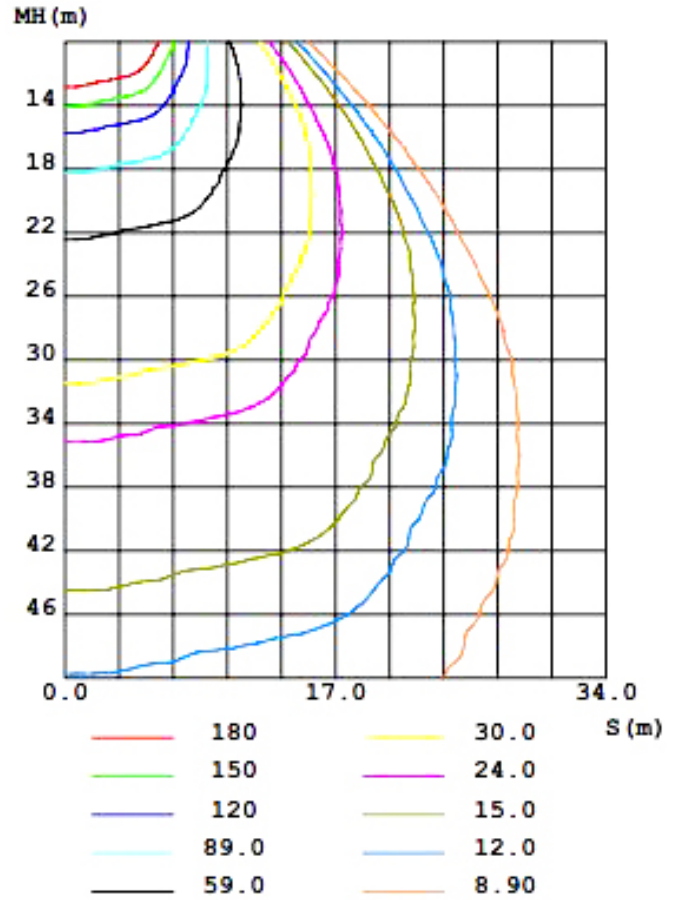
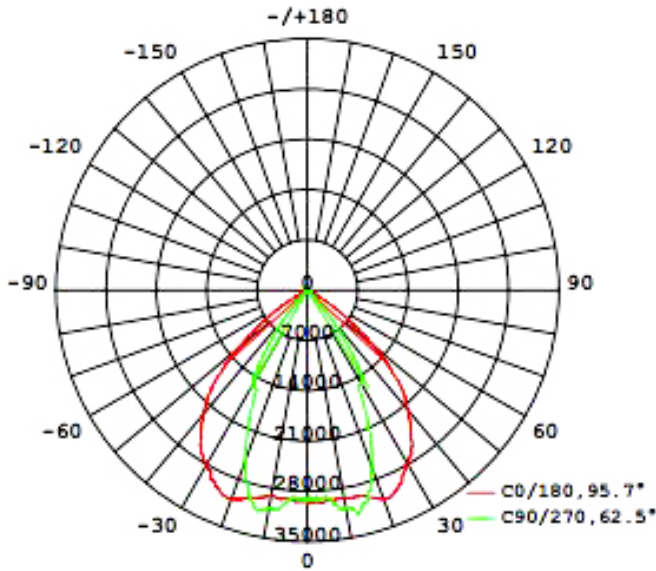
MODEL NO.	LED COLOR	LED QTY.	POWER	BEAM ANGLE	SIZE	WEIGHT	✓
IL-PIN-500-WW	Warm White	224	110/220V	30° / 60° / 90°	D=20" (508mm) x H=20" (506mm)	36lbs.	
IL-PIN-500-NW	Neutral White						
IL-PIN-500-CW	Cool White						

IMPACT LIGHTING

2101 West Central Blvd. Orlando, Florida 32805 USA • Phone: 1.800.507.5714 • Email: sales@impactlightinginc.com

www.impactlightinginc.com

Photometrics:



IMPACT LIGHTING

2101 West Central Blvd. Orlando, Florida 32805 USA • Phone: 1.800.507.5714 • Email: sales@impactlightinginc.com

www.impactlightinginc.com